



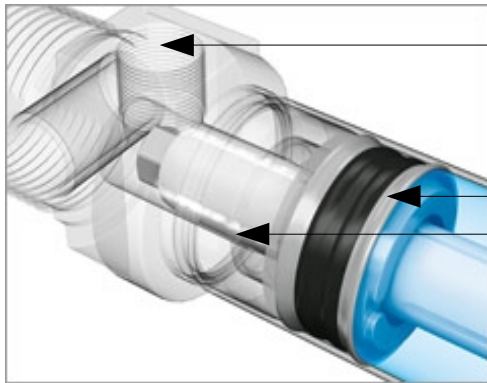
Wearside Pneumatics Ltd.

Introducing a World First from Festo :

One of a kind Self-adjusting cushioning PPS for ISO round cylinders can save up to 5 minutes on installation

Benefits :

- Save on Installation costs
- Ideal cushioning even with changing loads and speeds
- Increase service life
- Reduce Noise
- Unintentional wrong settings ruled out
- User-friendly operation – No more dismantling and re-adjustment

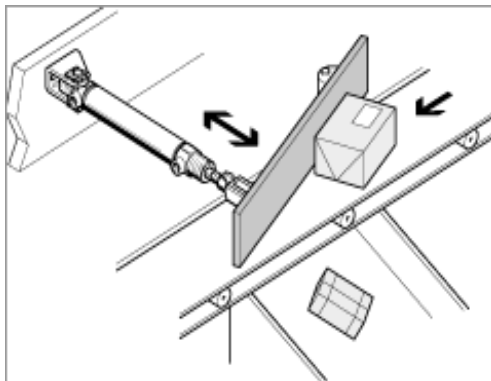


PPS cushioning system: without an adjusting screw for cushioning adjustment

Cylinder piston: smooth movement into the end position

Longitudinal slots: adjusted air discharge

How the PPS cushioning reduces installation time :



The new self-adjusting cushioning PPS for ISO round cylinders works purely pneumatically and adjusts itself completely to load and speed. The cushioning enables a dynamic yet soft movement into the cylinder's end position. This is achieved by the longitudinal slots which allow the air to escape.

We are convinced that in the future this cushioning system will be used in more than 80% of all applications and will become standard for pneumatic ISO round cylinders

The range :

- Diameter 16,20,25,32,40,50,63 mm (for double acting cylinders)
- X strokes 1 to 500 mm
- Dimensions in accordance with ISO 6432
- With improved corrosion protection in the CRDSNU stainless steel version

For further information, please contact Wearside Pneumatics Sales Department contact details below.



Wearside Pneumatics Ltd.



Wearside Pneumatics Ltd Unit 38, Sedling Road, Wear Industrial Estate, District 6, Tyne & Wear
T: 0191 417 1218 Fax: 0191 417 9533 E-mail: orders@wearsidepneumatics.co.uk
Web: www.wearsidepneumatics.co.uk